



B6/DRL Universal Waterproof Flush Mounting Kit LAH.DRL.10200

Thank you for choosing DENALI

We know you would rather be riding your bike than wrenching on it, so we go the extra mile to make sure our instructions are clear and as easy to understand as possible. If you have any questions, comments, or suggestions don't hesitate to give our gear experts a call at 401.360.2550 or visit WWW.DENALIELECTRONICS.COM

Please Read Before Installing

DENALI products should always be installed by a qualified motorcycle technician. If you are unsure of your ability to properly install a product, please have the product installed by your local motorcycle dealer. DENALI takes no responsibility for damages caused by improper installation. **Caution:** When installing electronics it is extremely important to pay close attention to how wires are routed, especially when mounting products to the front fender, front forks, or fairing of your motorcycle. Always be sure to turn the handlebars fully left, fully right, and fully compress the suspension to ensure the wires will not bind and have enough slack for your motorcycle to operate properly.

Installation Tips

We strongly recommend using medium strength liquid thread locker on all screws, nuts, and bolts. It is also important to ensure that all hardware is tightened to the proper torque specifications as listed in your owner's manual. For included accessory hardware please refer to the default torque specifications provided below. Inspect all hardware after the first 30 miles to ensure proper torque specifications are maintained.

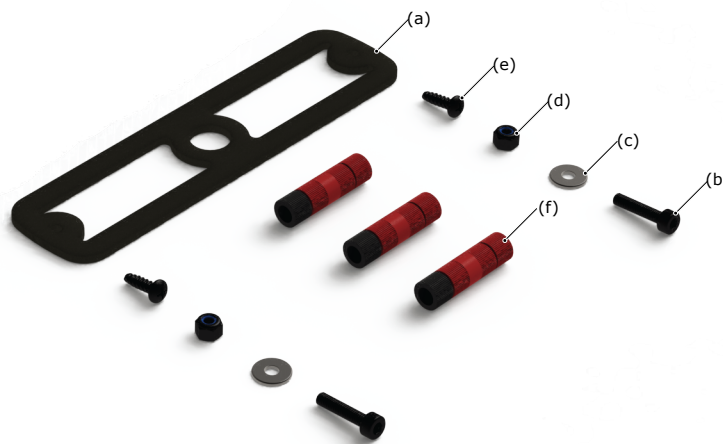
Bolt Size	in-lbs	ft-lbs	Nm
M3	10.0 in-lbs	-	1.0 Nm
M4	23.0 in-lbs	-	2.5 Nm
M5	44.5 in-lbs	3.5 ft-lbs	5.0 Nm
M6	78.0 in-lbs	6.5 ft-lbs	9.0 Nm
M8	-	13.5 ft-lbs	18.0 Nm
M10	-	30.0 ft-lbs	41.0 Nm
M12	-	52.0 ft-lbs	71.0 Nm

Hardware Sizing Guide

Not sure what size bolt you have? Use this ruler to measure screws, bolts, spacers, etc. Remember, the length of a screw or bolt is measured from the start of the "mounting surface" to the end of the screw, so only include the screw head when measuring countersunk screws.



Whats In The Box?

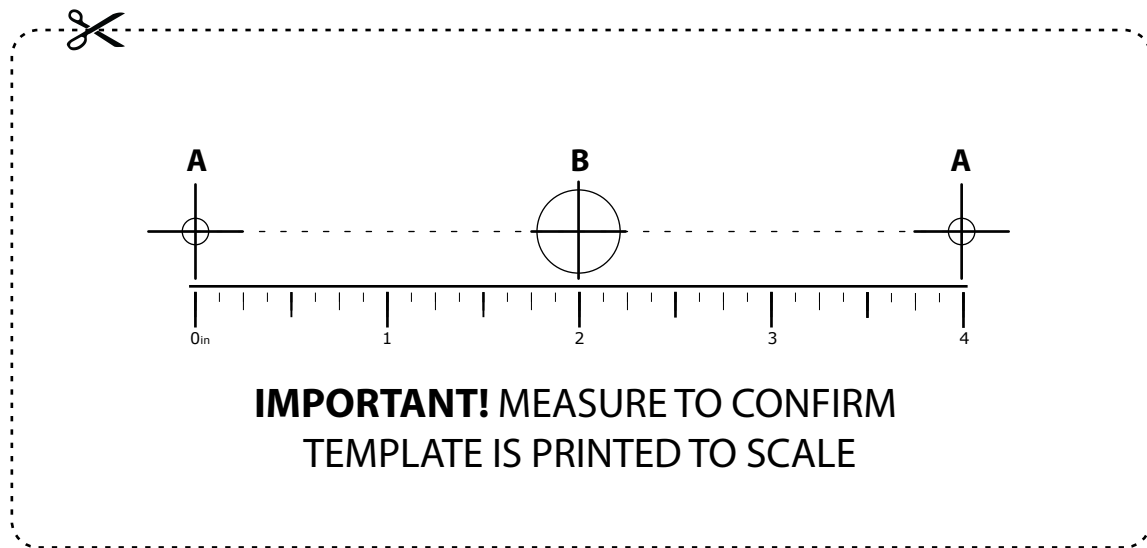


Kit Contents

- (a) Waterproofing Gasket.....Qty 1
- (b) M3x14 DIN 912.....Qty 2
- (c) M3 Washer DIN 9021.....Qty 2
- (d) M3 Nut DIN 985.....Qty 2
- (e) No. 4 x 3/8" Thread Forming Screw.....Qty 2
- (f) Posi-Tap.....Qty 3

Tools Required

- Drill, #28 Drill Bit, #44 Drill Bit, 1/2" Drill Bit, Phillips-Head Screw Driver, 2.5mm Allen Key, 5.5mm Wrench



1.1 - Drill Bit Sizes

This flush mounting kit comes with hardware for both through bolting, and blind mounting. If you can gain access the rear of the mounting surface to secure the light pod using the washer and nut, use the through bolting hardware. If you can not access the the rear of the mounting surface, you will need to use the blind mounting hardware.

Hole A:

- Mounting Option 1, Through Bolting: #28 Drill Bit (0.14in or 3.6mm)
- Mounting Option 2, Blind Mounting: #44 Drill Bit (0.09in or 2.2mm)

Hole B:

- 1/2" Drill Bit (0.5in or 12.7mm)

1.2 - Drilling The Holes

Important! Measure the drill template to confirm it has been printed to scale. The outer most holes should measure 4 inches center to center.

Step One: Use scissors to cut the drill template out from the instruction manual.

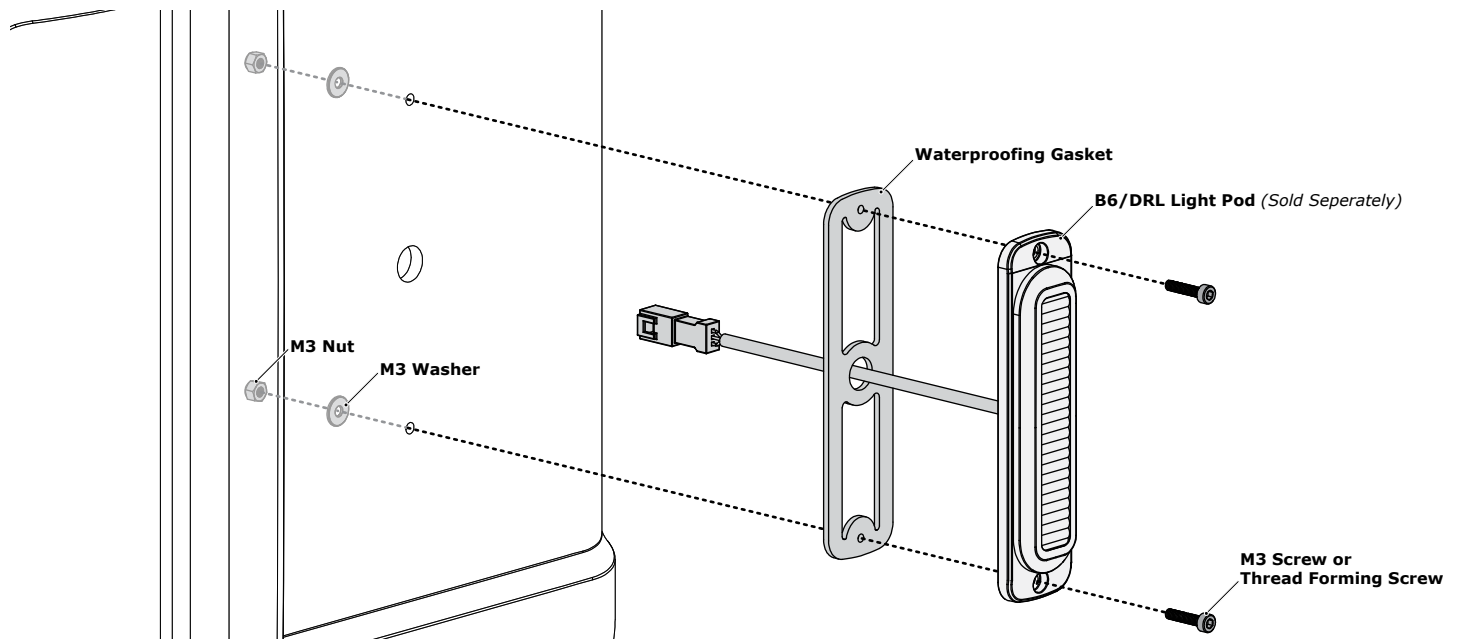
Step Two: Use tape to adhere the drill template to the mounting surface ensuring the paper lays completely flat with no folds or wrinkles.

Step Three: Use a center punch to mark the three holes onto the mounting surface.

Step Four: Remove the drill template from the mounting surface.

Step Five: Use a drill and the drill bits identified in *Section 1.1* to drill the three holes into the mounting surface.

2. Installing The Light Pod



2.1 - M3 Mounting Hardware

Step One: Feed the harness through the center hole of the water proofing gasket (a) and then through the 1/2" drilled hole on the mounting surface.

Step Two: Insert the M3 Screws (b) through the light pod, the waterproofing gasket (a), and the two #28 holes drilled into the mounting surface.

Step Three: Use the M3 Washer (c) and Nut (d) to secure the light pod to the mounting surface.

2.2 - Thread Forming Screws

Step One: Feed the harness through the center hole of the water proofing gasket (a) and then through the 1/2" drilled hole drilled into the mounting surface

Step Two: Insert the Thread Forming Screws (e) through the light pod and the waterproofing gasket (a).

Step Three: Thread the Screws (e) into the two #44 holes drilled into the mounting surface until the module is secure.